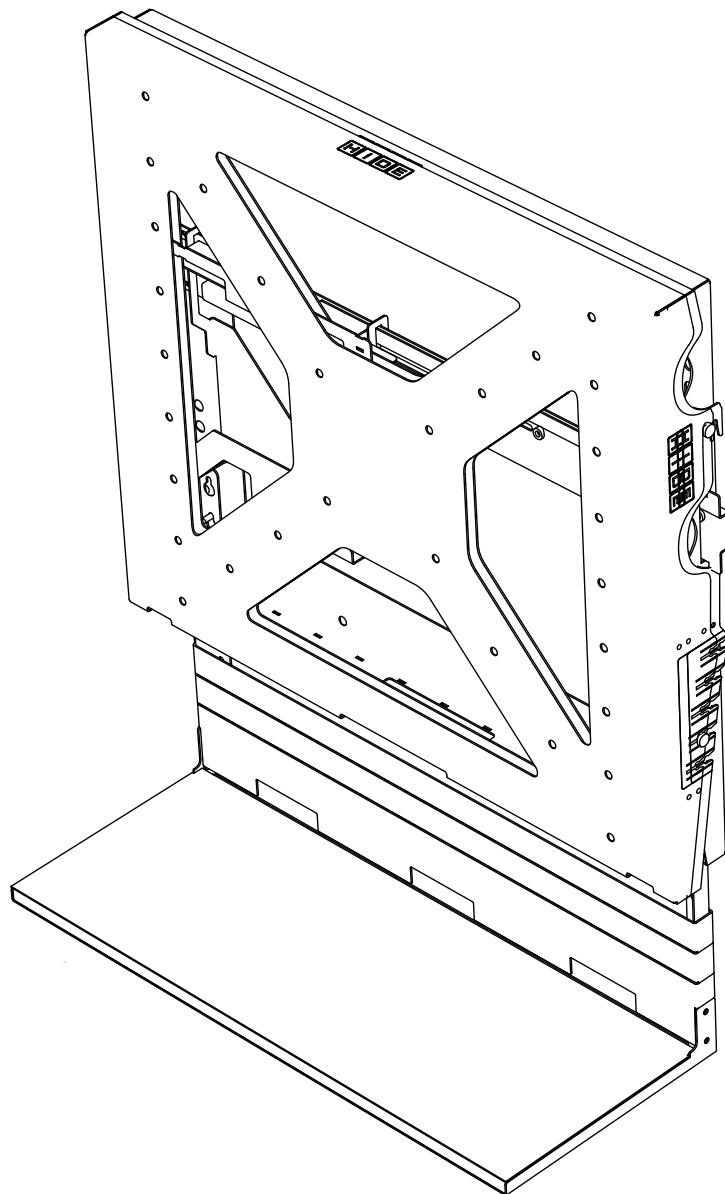




Flat TV Wall Mount

## Mounting instructions



Includes:  
Specification and safety regulations  
Package content  
Mounting instructions

# Specification and safety information

Dimensions: 512 x 453 x 48 mm

Weight: 4 kg

Maximum TV Weight: 60 kg / 70"



(EN) General safety notes:

The assembly should be carried out by a qualified person, due to the fact that wrong assembly can lead to that the furniture/object topples or falls resulting in personal injury or damage. NOTE! Screws and fittings to fix the object to the most common materials are included. For other materials, choose screws and fittings that are specially suited for your wall/ceiling and have sufficient holding power. Manufacturer does not guarantee for damage caused by incorrect installation and/or use.

(SI) Osnovna varnostna opozorila:

Montažo izdelka naj izvede za to usposobljena oseba, saj lahko pri nepravilni montaži pride do telesnih poškodb ali materialne škode. POMEMBNO! Vijaki, ki so priloženi so primerni le za montažo na določene materiale/površine. Za montažo na drugačne površine, izberite vijake in vložke, ki ustrezajo sestavi stene in imajo primerno nosilno moč. Proizvajalec ne jamči za škodo, povzročeno zaradi nepravilne montaže ali uporabe.

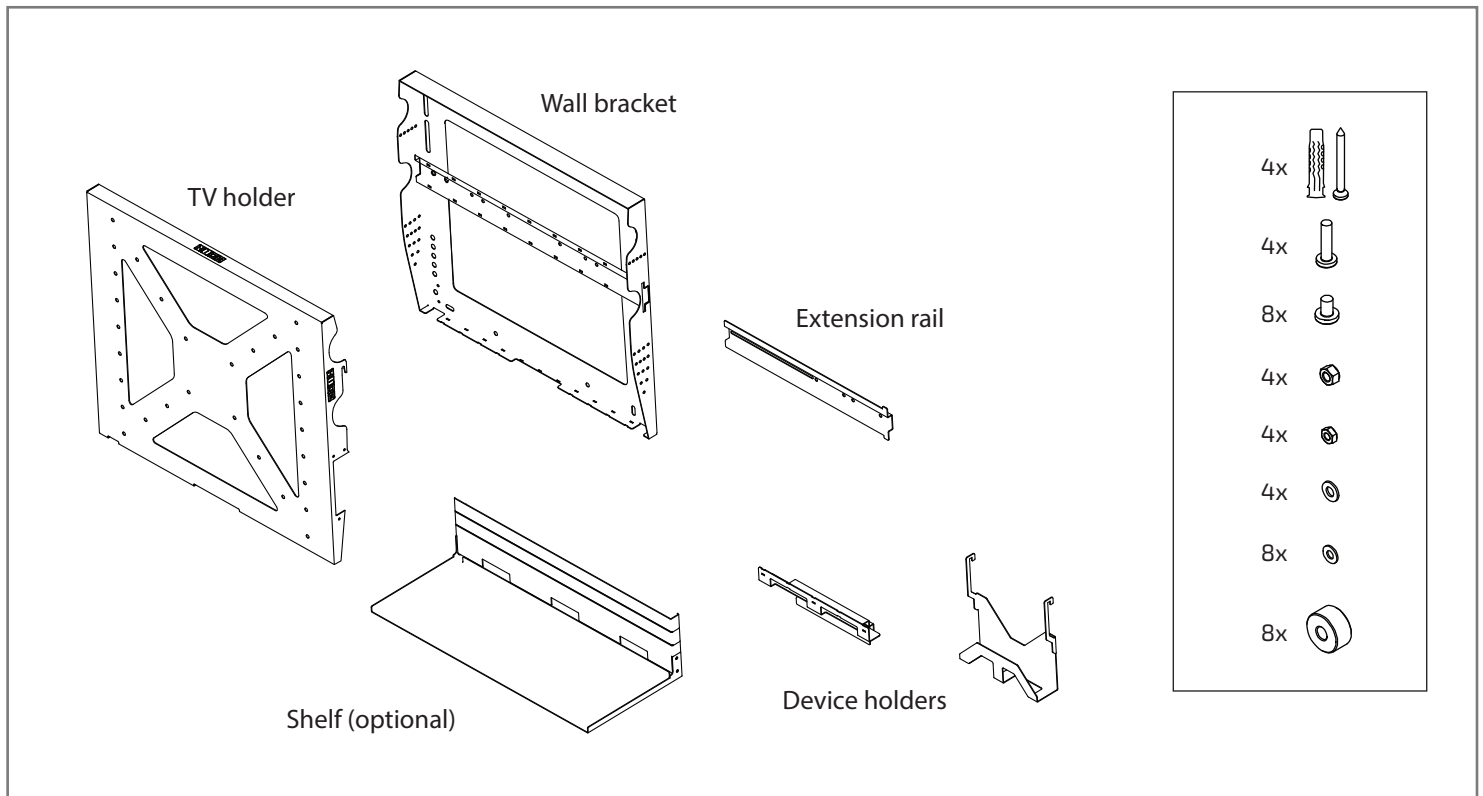
(D) Allgemeine Sicherheitsanweisungen:

Fachkundige Montage erforderlich. Un-sachgemäße Montage kann zu Unfällen führen; Möbel/Gegenstand könnte kippen oder umfallen. WICHTIG! Im Lieferumfang sind Schrauben und Beschläge zur Befestigung des Objekts an den gängigsten Materialien enthalten. Wählen Sie für andere Materialien Schrauben und Beschläge, die speziell für Ihre Wand / Decke geeignet sind und eine ausreichende Haltekraft haben. Für Schäden, die durch unsachgemäße Montage und/ oder Verwendung verursacht werden, kann der Hersteller keine Haftung übernehmen.

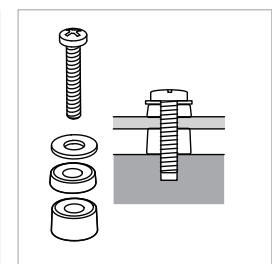
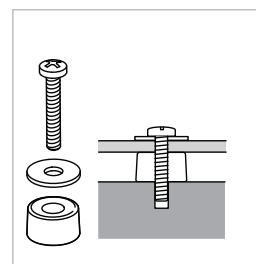
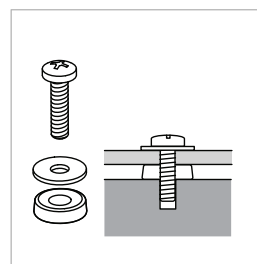
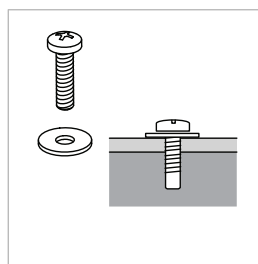
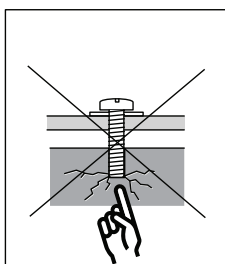
(I) Note di sicurezza generale:

Il montaggio deve essere effettuato da una persona competente. Se non viene effettuato correttamente, il prodotto può ribaltarsi o cadere, danneggiando persone o cose. N.B. Viti e accessori per fissare l'oggetto ai materiali più comuni sono inclusi. Per altri materiali, scegli viti e raccordi che sono particolarmente adatti per la tua parete / soffitto e hanno una potenza di tenuta sufficiente. Il produttore non garantisce per danni derivanti dal montaggio e/o utilizzo improprio.

## Package content

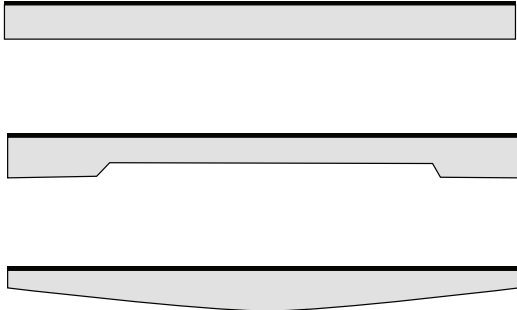


## Info

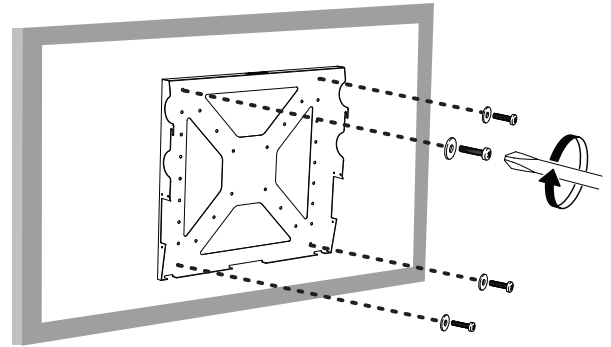


# Mounting instructions

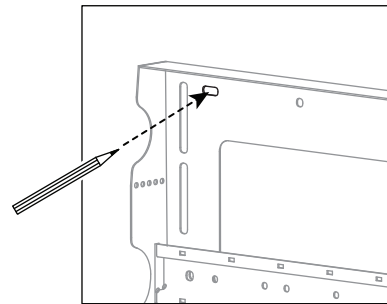
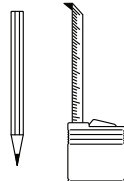
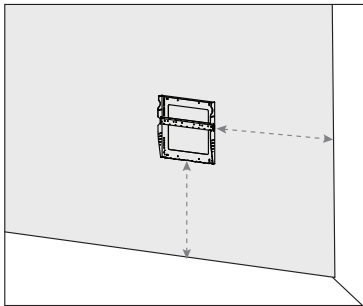
- 1** Determine whether your TV has a flat or obstructed back. Choose the right screws and spacers. See info on page 1.



- 2** Mount TV holder on the back of your device.

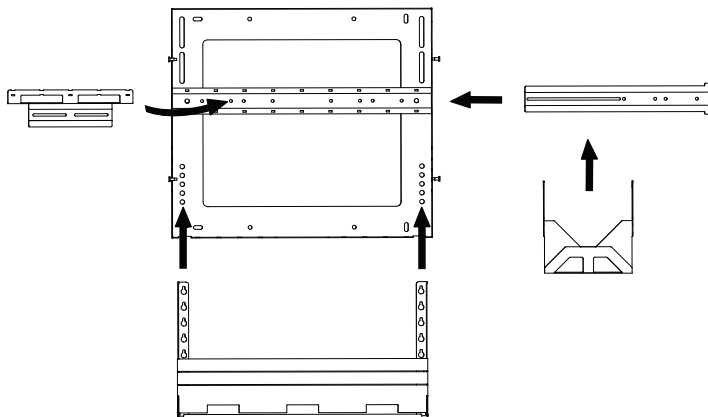


- 3** Use a pencil to mark the location on the wall. Mount wall bracket. Choose the right screws and plastic anchor, depending on the type of your wall.

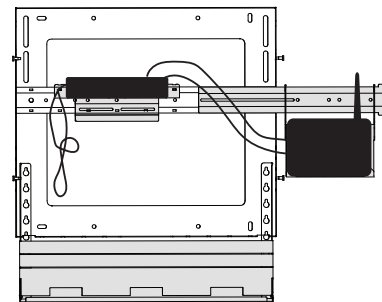


- 4** Install all the necessary additional holders and electrical devices.

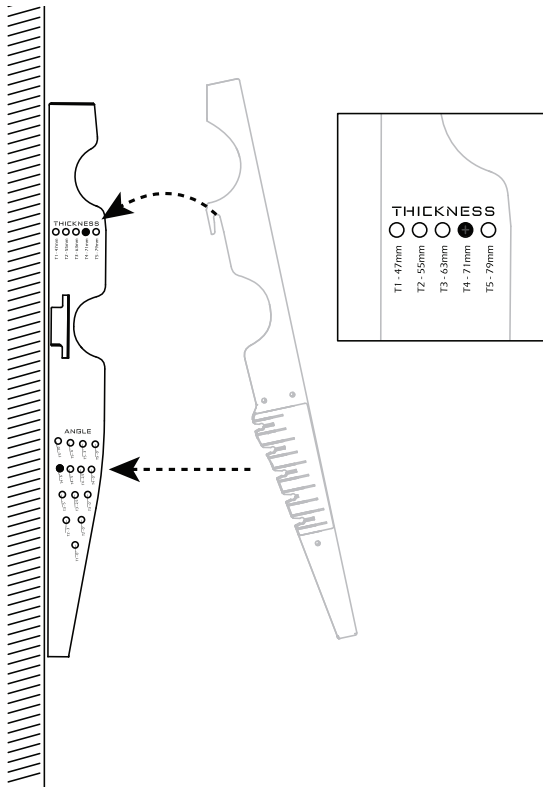
1



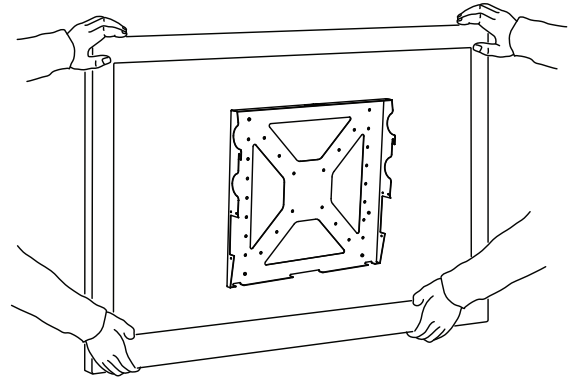
2



5 Determine thickness and tilt angle position and place the screws on location.



6 Lift the TV.  
Note: Lifting the TV is a two person job!



7 Mount the TV to the wall. Make sure you connect and plug in all the electrical devices.

